



ITRACK T4
TRAILED FIELD SPRAYERS

PRECISION

PRODUCTIVITY

EFFICIENCY





PRECISE, EASY AND COST EFFECTIVE SPRAYING EVERY CROP DESERVES THE BEST CARE

Efficiency

When farming means business, efficient management of your crop protection to secure a profitable harvest is a decisive factor. Every crop deserves the best care: the right actions at the right moment.

Productivity

When farming the land you need to respond to specific demands of your crop. Raising productivity and output requires more precision in farming. You are facing specific field conditions, that may vary a lot, and weather conditions that could change per hour. Details in timing and execution can have a major impact.

Precision

High precision spraying is an important factor. You want to be sure that the product you apply is perfectly dispersed giving value out of every drop of spray liquid, even at high speed. The job has to be done with the highest possible efficiency. You want to cut back waste, reduce input costs and minimise the impact on the environment.

*With a Kverneland sprayer you are sure
that your crop gets the best care*

LIQUID MANAGEMENT

STABILITY

CONNECTIVITY

EASE OF USE

INTELLIGENT
ELECTRONICS

PRECISION SPRAYING

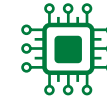


OPTIMISE PRECISION AND COMFORT TO GROW THE BEST CROPS



Ease of Use

The iXtrack T trailed sprayer range is developed in cooperation with farmers and designed for precise, easy and cost effective spraying. Means suitable for every farmer.



Intelligent Electronics

Simple control to boost your performance. The iXtrack T series is 100% ISOBUS compatible as standard, which means easy plug and play with any AEF certified terminal.



Precision Spraying

The iXtrack T range is equipped with a smooth, suspended parallelogram for an optimal boom performance.



Liquid Management

Optimal crop protection with environmental focus. The iXtrack T is providing value out of every drop of spray liquid, because every crop deserves the best care.



Stability

Stay save during work and transport. The iXtrack T has a low centre of gravity in combination with compact dimensions, means maximal stability of the sprayer.



Connectivity

Always directly connected to the iXtrack T sprayer with IsoMatch FarmCentre, IsoMatch TopService and IsoMatch TopRemote creating multiple opportunities for you.

*iXtrack T -
Every Crop Deserves the Best Care*

THE KVERNELAND SOLUTIONS

EVERY DROPLET IN THE CORRECT PLACE

The Kverneland iXtrack T4 trailed sprayer with HC boom is especially developed for vegetable growers and users with high demands on flexible working widths and boom reduction. Multiple folding options for difficult field shapes and conditions or special crop types (vegetable farms) make spraying easier.

- 1 For an Optimal Boom Performance**
The parallelogram on the iXtrack T series combines stability with balancing and limited vertical movements. The triangular construction and unique anti yaw system of the HC boom allow high speed spraying in very difficult conditions. The boom is extremely strong and reliable.
The HC spray boom is a multi-talented spray boom with the possibility of one-side spraying and asymmetric and symmetrical folding of 3, 4 or 5 boom segments which fits to extreme conditions.

- 2 Stay Safe During Work and Transport**
The iXtrack T has one central frame beam which is made out of heavy duty steel which provides higher flexibility and durability. The sprayer has a very low centre of gravity and compact dimensions which are beneficial for the operator.

- 3 Optimal Crop Protection**
With the new tank design and integrated induction bowl, the valve panel has been re-designed for more user comfort. The tank outlet is close to the pump and valve panel, therefore short hoses are used to minimise rest liquid to one of the lowest in the market.

- 4 Suitable For Every Farmer**
With the adjustable axles on the iXtrack T4, the track widths are easily changed in 5 centimetre steps over the full range from 1.50 to 2.25m. The single central frame, in combination with the special shaped parallelogram arms, create room for high tyres and allow a maximum steering angle. This ensures maximum steering possibilities with a tight turning radius, even on 1.50m or 1.80m track.

- 5 Simple Control to Boost Your Performance**
The innovative iXspray hardware and software with intuitive touch interface guarantees a user friendly operation of the sprayer. With the IsoMatch Grip you can add control to the fingertips for easy control of the sprayer.





- Made for high speed and extreme conditions
- 3,4 or 5 boom segments can be folded symmetrically or asymmetrically
- One-side spraying
- Full integration of nozzles
- 2.55m transport width
- High quality components

HC BOOM

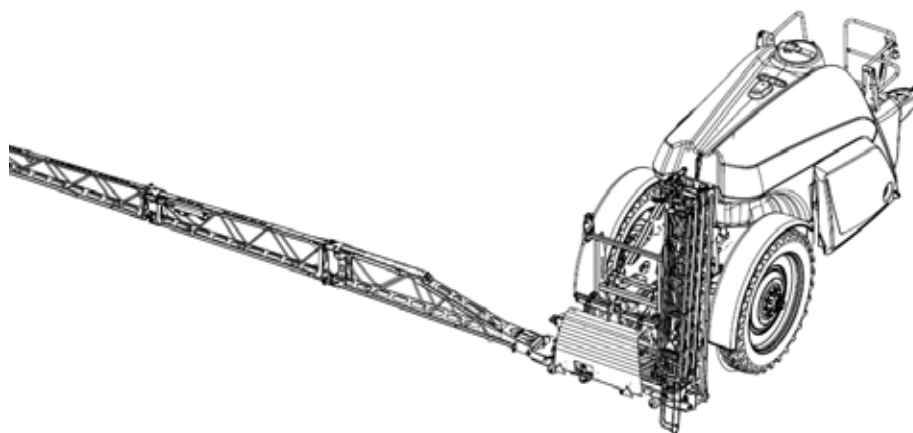
THE VERSATILE SPRAY BOOM

The HC is the multi-talented boom available in working widths from 18 - 30 metres. The triangular steel construction and the unique ant yaw system allow high speed spraying in very difficult conditions. The boom is extremely strong and reliable. The balancing system with professional steel rollers ensures a perfect suspension in all circumstances.



Light weight, maximum strength

The HC boom has been designed for 100% integration of spray lines and nozzles, for light weight and maximum strength.



One-side spraying

The HC boom is giving you the functionalities for one side folding, symmetrical reduction and asymmetrical reduction depending of the choice for electric hydraulic command.



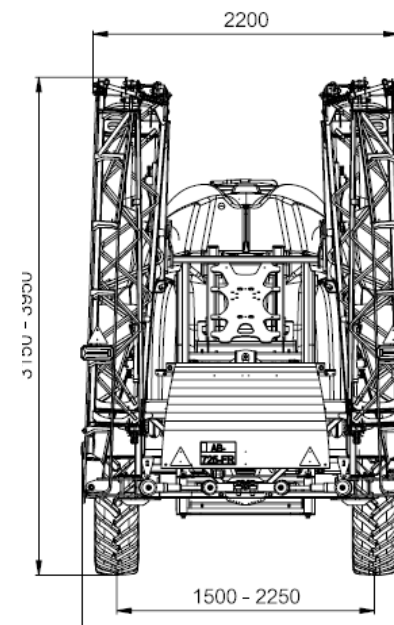
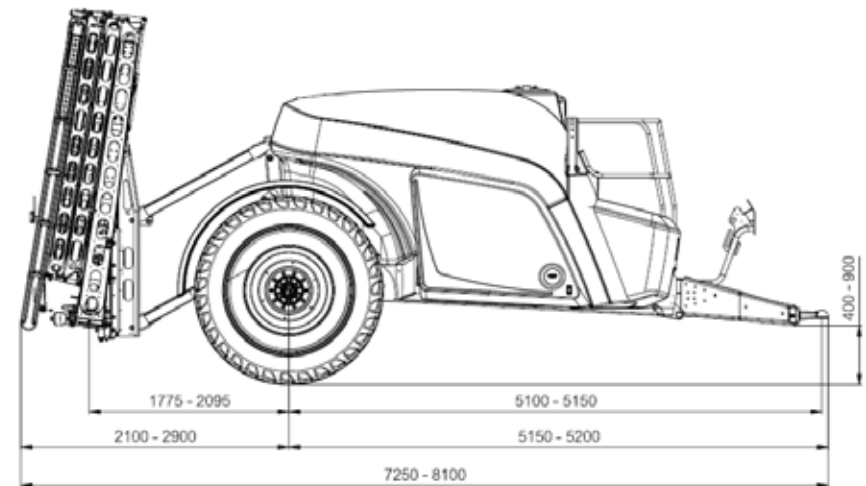
Safe on the road

The 2.55m transport width means that even narrow roads and gateways are no obstacle. The special designed locking system allows to keep parallelogram suspended during transport.

TECHNICAL DATA

Model	iXtrack T4		
1. Tank Size			
Nominal tank capacity (l)	3400	4000	4600
Maximum tank capacity (l)	3840	4350	4835
Clean water tank (l)	620	620	620
Hand wash tank (l)	32	32	32
Chemical inductor (l)	37	37	37
2. Empty Weight with Standard Tyres (Total Machine Incl. Boom)			
Standard tyres	520/85R46		
...with HC 18m	4799 kg	4824 kg	4849 kg
...with HC 20m	4843 kg	4868 kg	4893 kg
...with HC 21m	4849kg	4874 kg	4899 kg
...with HC 24m	4887 kg	4912 kg	4937 kg
...with HC 27m	5044 kg	5072 kg	5100 kg
...with HC 28m	5059 kg	5087 kg	5115 kg
...with HC 30m	5072 kg	5100 kg	5128 kg
3. Drawbar (Turnable)			
Top linkage in combination with pulling eye/ball coupling	Ø40mm fixed / Ø80mm ball coupling		
Hitch linkage in combination with pulling eye/ball coupling	Ø40mm fixed /Ø50mm rotating / Ø80mm ball coupling		
4. Wheel Axle			
Adjustable axle (in 5cm steps)	1.50 - 2.25m		
Adjustable steering axle (in 5cm steps)	1.50 - 2.25m		
Turning radius (track 1.50m)	5.50m		
Turning radius (track 2.25m)	5.25m		
Hydraulic brakes - single line	○		
Air brakes - dual line - EU homologation	○		
Suspension	Drawbar, wheel axle and parallelogram		
5. Dimensions			
Wheel base (m)	5.10		
Length (m)	7.25 - 8.10		
Width x height (m) (depending of wheels and spray boom)	2.55 x 3.95		

● = Standard equipment ○ = Option



Model	iXtrack T4
6. Pumps	
4 Piston-diaphragm pump 200 l/min	○
4 Piston-diaphragm pump 260 l/min	○
8 Piston-diaphragm pump 400 l/min (connected)	○
8 Piston-diaphragm pump 520 l/min (connected)	○
7. IsoMatch Products	
IsoMatch Tellus GO+	○
IsoMatch Tellus PRO	○
IsoMatch Global 2	○
IsoMatch Eye	○
IsoMatch InLine	○
IsoMatch Grip	○
8. Options (Factory Fitted)	
Electrical level indicator	○
iXclean® Comfort	○
iXclean® Pro automatic valve management system	○
ErgoDrive headland management system	●
iXflow-E® recirculation system	●
Boom Guide Comfort	○
Boom Guide Pro	○
Boom Guide 5 sensor extension	○
9. Accessories (Also Loose Available)	
High pressure agitation	○
Outside cleaning set	○
Spray gun	○
Sensing skids	○
Suction hose 3"	○
Suction hose frame	○
Non-return valve set 3" for suction hose	○
Float	○
Urea sieve	○
LED boom lights and rotating beacon	○
Hydrant filling connection	○
Pump out connection	○
Additional storage locker	○
Electrical border or verge nozzle	○
Turning mud guards (400-550-700mm)	○
Tip end protection	○

Model	iXtrack T4
1. Basic Boom Functionality	
Available working widths (m)	18/20/21/24/27/28/30
Material	Steel
Transport position	Vertical
Lift range - boom height (cm)	45-245
Parallelogram transport suspension	●
2. Boom Hydraulics	
	HC 18-30m
Hydraulic package Comfort 2: oil-circulation for:	
	●
1. Parallelogram lift	
2. Symmetric and asymmetric boom reduction	
3. Slope correction	
4. Hydraulic locking	
5. Independent slope correction	
6. Independent folding left and right for one side spraying	

● = Standard equipment ○ = Option



Information provided in this brochure is made for general information purposes only and for worldwide circulation. Inaccuracies, errors or omissions may occur and the information may thus not constitute basis for any legal claim against Kverneland Group. Availability of models, specifications and optional equipment may differ from country to country. Please consult your local dealer. Kverneland Group reserves the right at any time to make changes to the design or specifications shown or described, to add or remove features, without any notice or obligations. Safety devices may have been removed from the machines for illustration purposes only, in order to better present functions of the machines. To avoid risk of injury, safety devices must never be removed. If removal of safety devices is necessary, e.g. for maintenance purposes, please contact proper assistance or supervision of a technical assistant.

© Kverneland Group Nieuw-Vennep BV

WHEN FARMING MEANS BUSINESS

kverneland.com